



DRY COOLER- 50 Hz

Operating Mode Glycol/Water

Type of calculation	Unit	Alfa V	Model	VDDRE1007CD96 CB
Required Capacity	Rating			
Calculated capacity	kW	Margin		%
	1280.10 kW			
		Altitude (a.s.l.)		0 m
Dimensions***				
Length	9490 mm	Dry weight (approx. +/-5%)		3325 kg
Height	2210 mm			
Depth	2230 mm			
Packing	No Packing	Shipping Volume		49.0 m ³
Thermal Data				
Air Temperature	18.6 °C / 38.4 °C			
Fluid	Eth.glycol 25.0 %	Fluid temperature in/out		53.0 °C / 28.1 °C
Fluid flow rate	48.3 m ³ /h	Fluid pressure drop		14.5 kPa
Freezing point	-12.8 °C			
Fan data EC Motor⁽³⁾				
Air flow:	198600 m ³ /h	Number of Fans		14
		Fan diameter		1000.0 mm
Rotation speed	500 rpm	Voltage		400V
Nominal Power	6174 W	Power Supply		3ph
Nominal current ⁽²⁾	11.6 A	Connection		D
Sound Pressure Level (10.0 m) ⁽¹⁾		45 dB(A)		
Sound Power Level		78 dB(A)		
Coil data				
Tube material	Copper	Fin material		SWR ALMG 2.5
Fin Spacing	2.3 mm	Number of Circuits		2x96
Surface	4137.2 m ²	Internal Volume		393.4 litres
Connections (In-Out)	2xDN100 - 2xDN100	Connection Side		Same
Frame and casework				
Case material	Galvanized steel painted			
Coil frame material	Aluzinc			
Options				
Vibration damper		No		
Grid		No		
Electrical				
Connection	D			
Switch on/off	No	Connection box	Yes	
		EC connection	Parallel conn. 0-10V signal	

NOTES

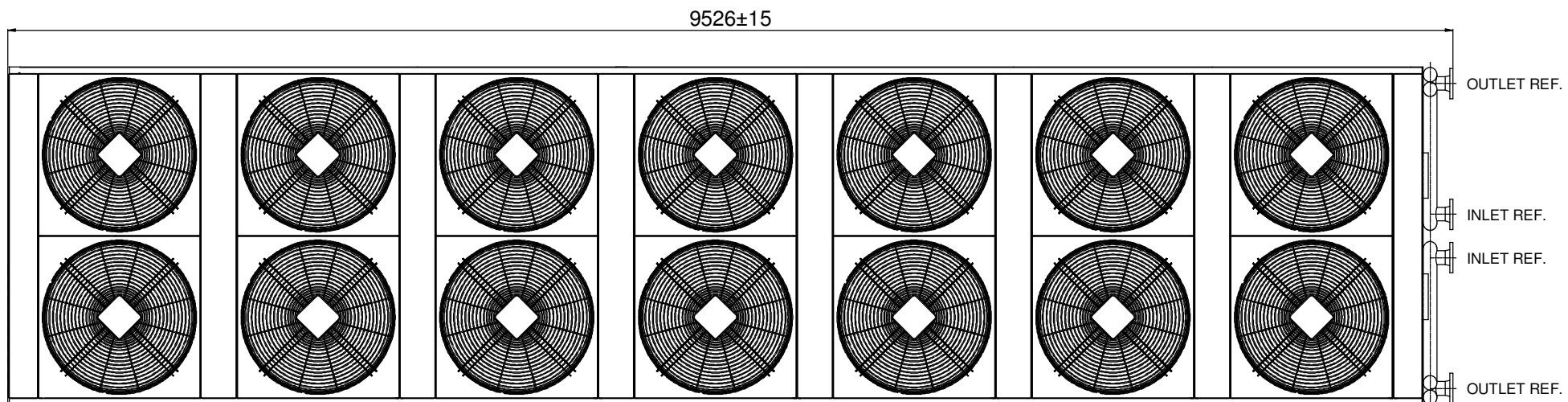
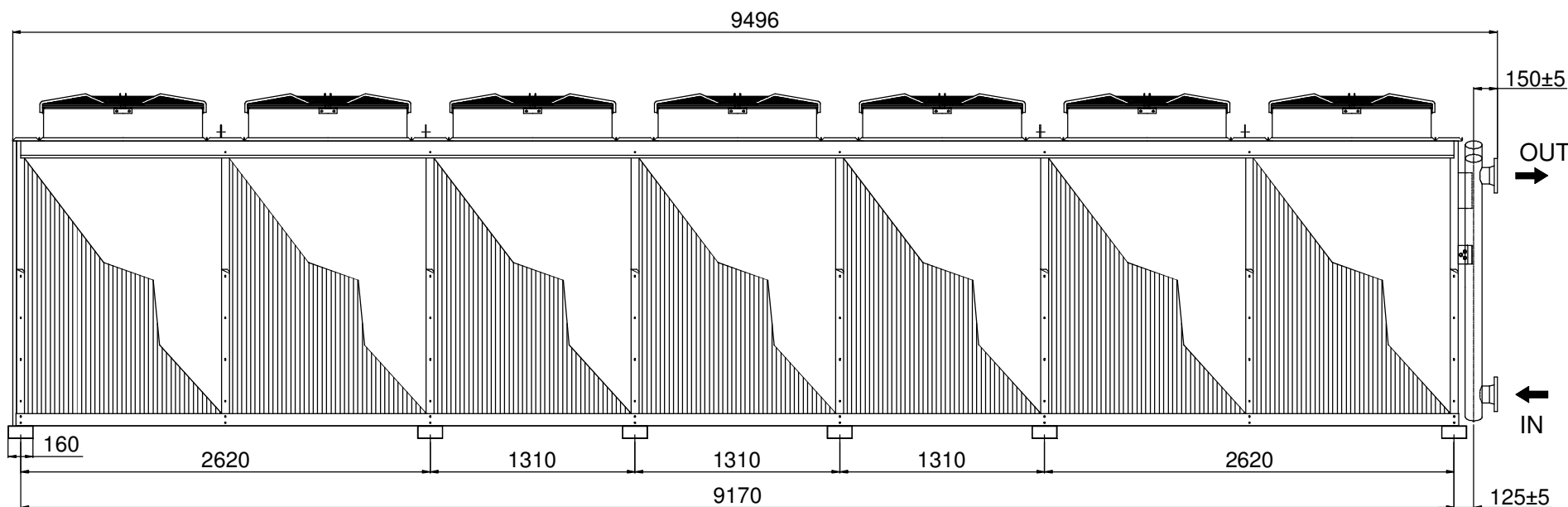
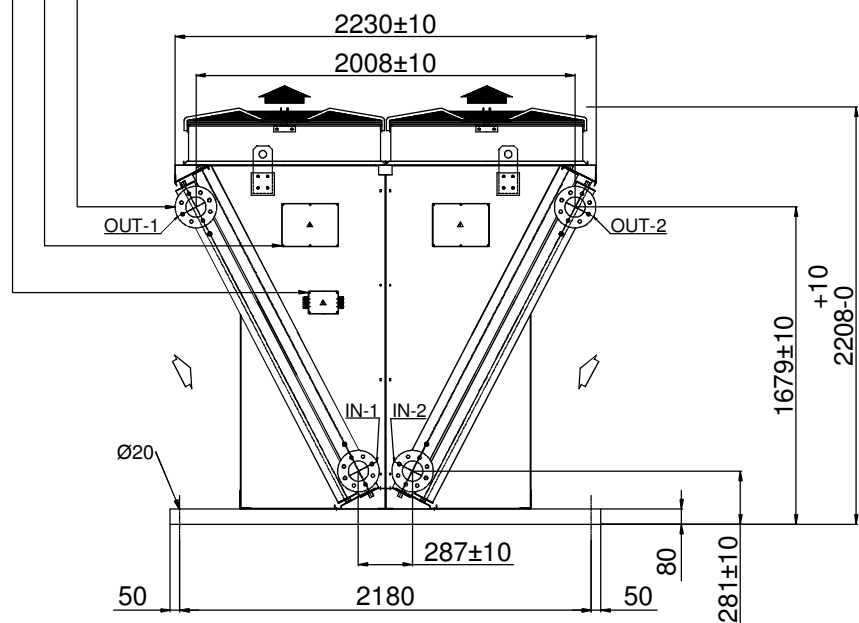
⁽¹⁾ By using the enveloping surface method according to EN 13487

⁽²⁾ Nom. current at T_{air}=20°C. Variations occur due to different voltage or T_{air}



^(***) Dimension and weight are not valid for all possible options.

⁽³⁾ Rated voltage 3~380...480V 50/60hz. Ambient temperature -20°...+60°C. Default setting 0-10V

SIGNAL BOX PC 121609 (120X160X90mm)
 POWER BOX PC 233009 (230X300X90mm)
 EN 1092-4/11 D/DN100/PN16 EN AC47000



This document and its contents is owned by Alfa Laval AB (publ.) or its affiliates and protected by laws governing intellectual property and thereto related rights. Without limiting any rights related to this document, no part of this document may be copied, reproduced or transmitted in any form or by any means (electronic, mechanical, photocopying, recording, or otherwise), or for any purpose, without the expressed permission of Alfa Laval. Nor may it be used in any other way or for any other purpose than expressly permitted by Alfa Laval. Alfa Laval will enforce its rights related to this document to the fullest extent of the law, including the seeking of criminal prosecution.

REV		Date	Modifications		Revisor	Approved by	
 www.alfalaval.com				mm	mm		
				Weight	Dimensions		
Scale		1:40	Approved by		Date	Treatment	
Format		A3					
VDDRE1007CD96 CBP						Alfa V Series	
SWR 2.3 CU						Assembly	
Tolerance class M EN 22768-1 22768-2						3289104794-00	
						Associated / References to	
						Replaces	
						Article number	
						REV	